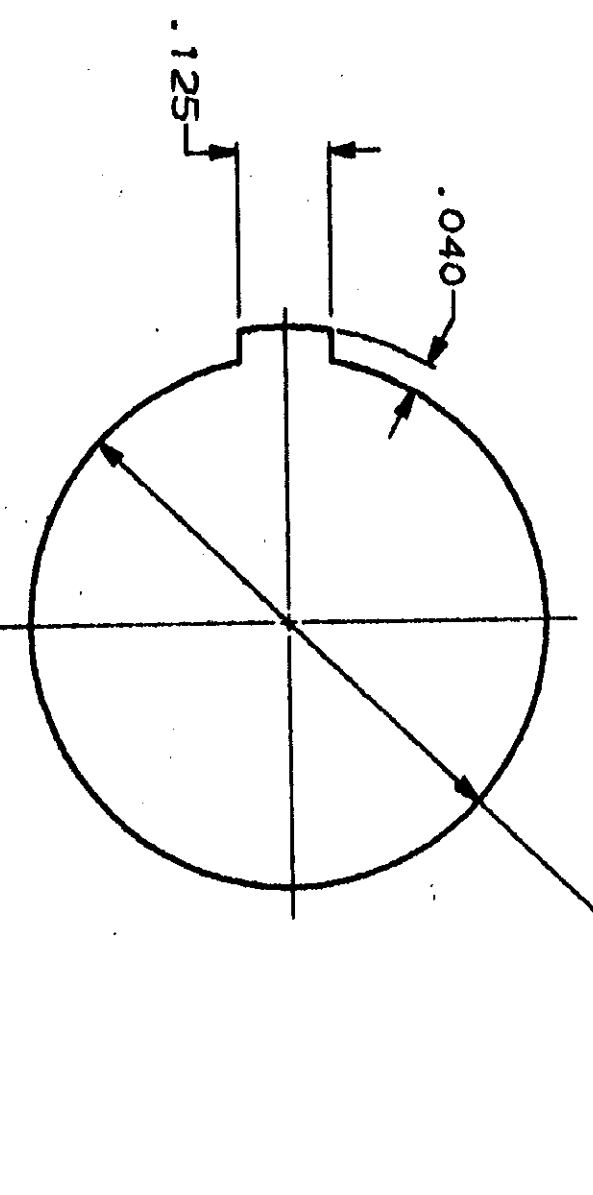
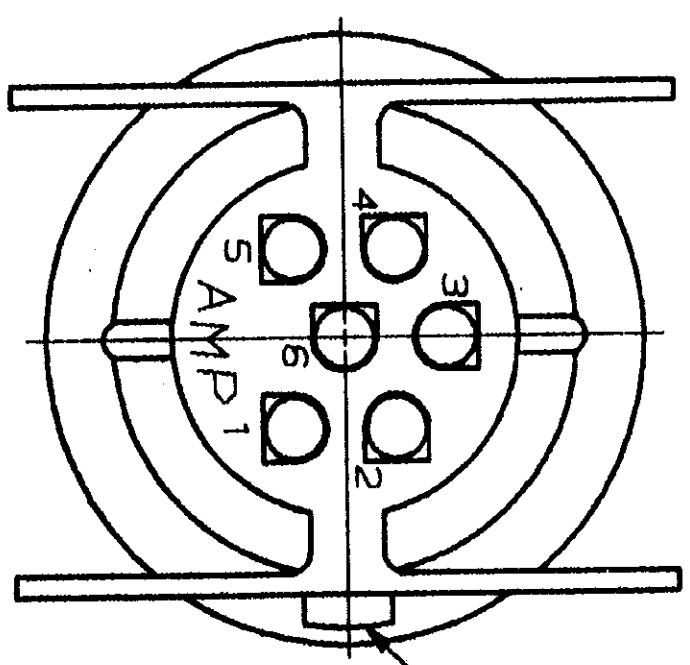
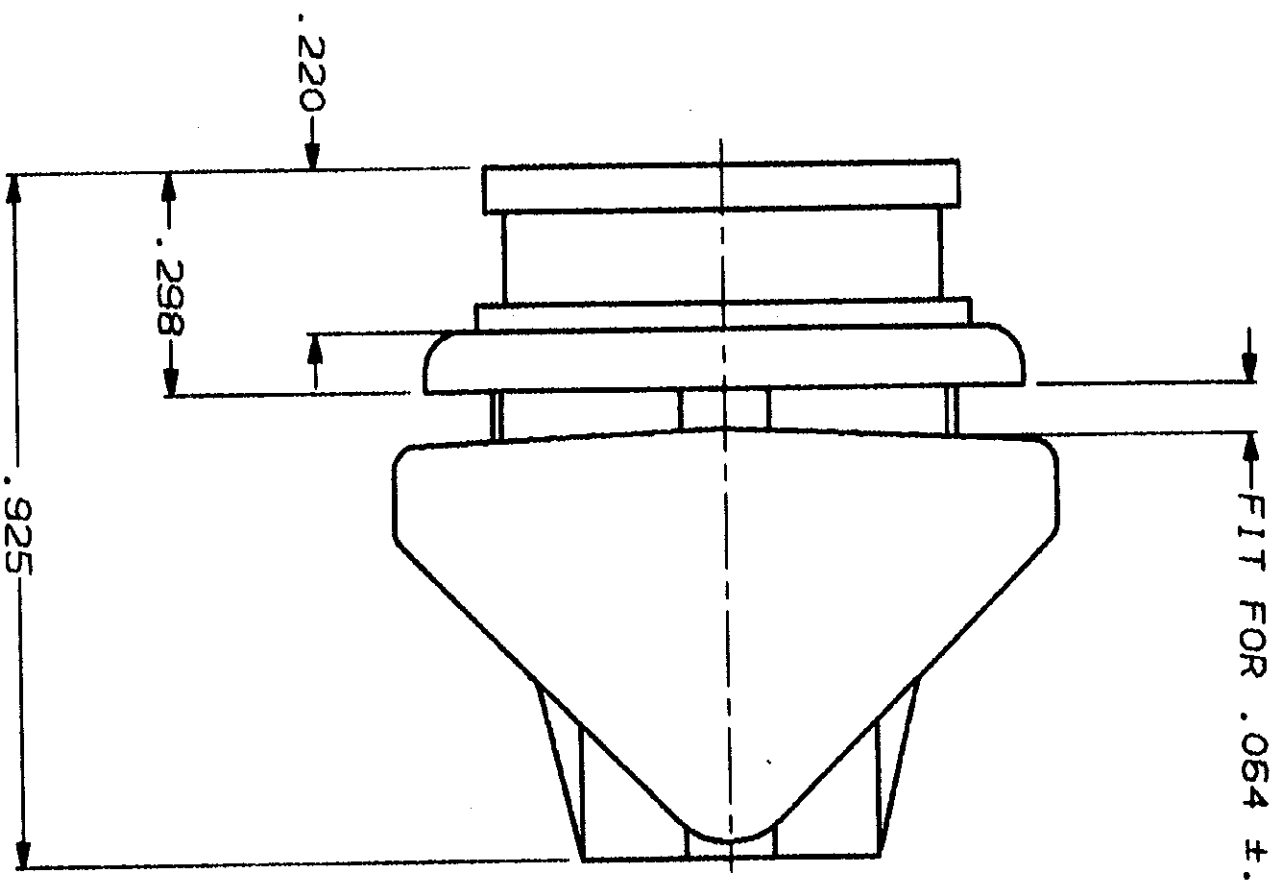
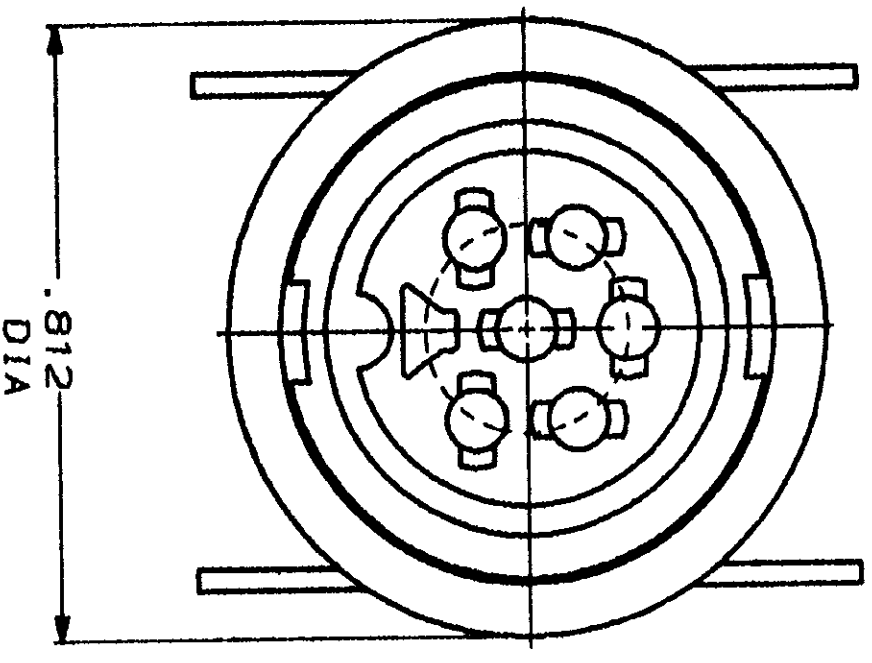


DRAWING MADE IN THIRD ANGLE PROJECTION
 THIS DRAWING IS UNPUBLISHED.
 BY AMP INCORPORATED. ALL INTERNATIONAL RIGHTS RESERVED.
 .19

REV	DATE	DESCRIPTION	BY	APPD
23	BD	39		
			E	REDRAWN



RECOMMENDED PANEL CUT-OUT

1. HOUSING TO BE INSERTED FROM PUNCHED SIDE OF PANEL.

DO NOT SCALE PRINT. UNLESS SPECIFIED DIMENSIONS IN INCHES TOLERANCES ON : 1 FRACTION ± .005 2 DEC ± .005 3 DEC ± .005 ANGLES ± .5°		DR 9/5/90 A. STAUB, BS CHK [Signature] 5-30-91 APPD [Signature] 6-3-91 APPD [Signature] 4/2/91 PRODUCT SPEC [Signature]		NAME AMP AMP Incorporated Harrisburg, PA 17105-3608	
FINISH THERMOPLASTIC COLOR-BLACK		APPLICATION SPEC		HOUSING, SOCKET, SNAP-IN AUDIO MICROPHONE CONNECTOR 6 POSITION	
WEIGHT		SCALE 4:1		CAGE CODE 00779	
DRAWINGS NO 207333		SHEET 1 OF 1		PART NUMBER 207333-1	

CUSTOMER DRAWING